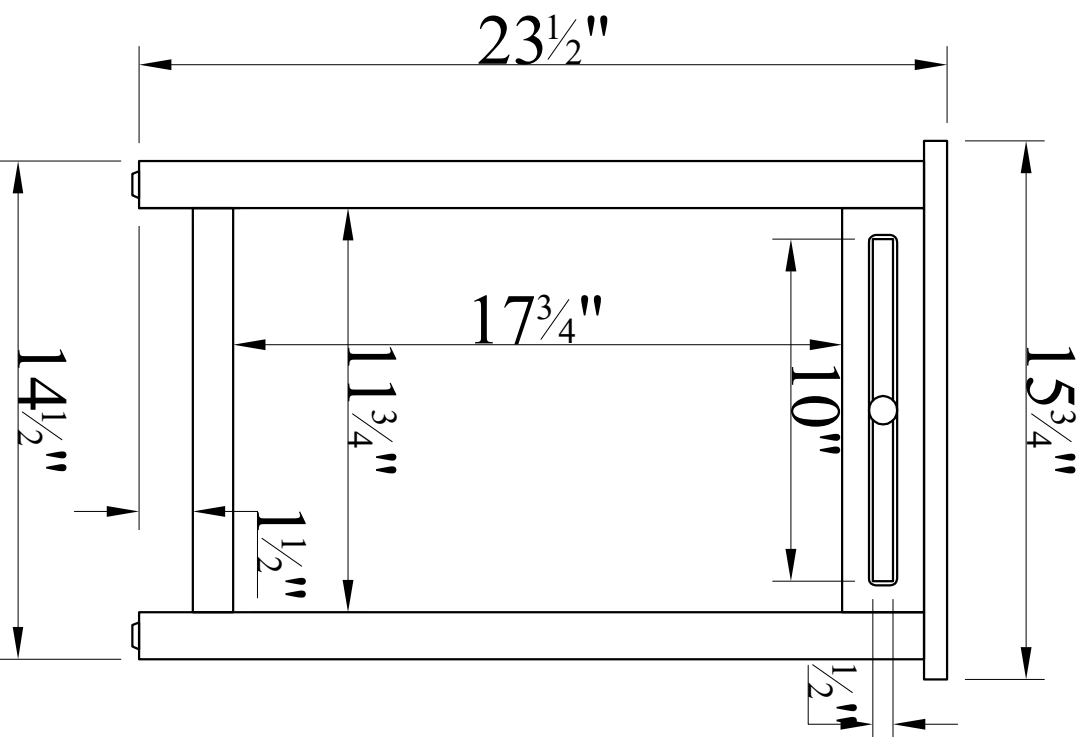
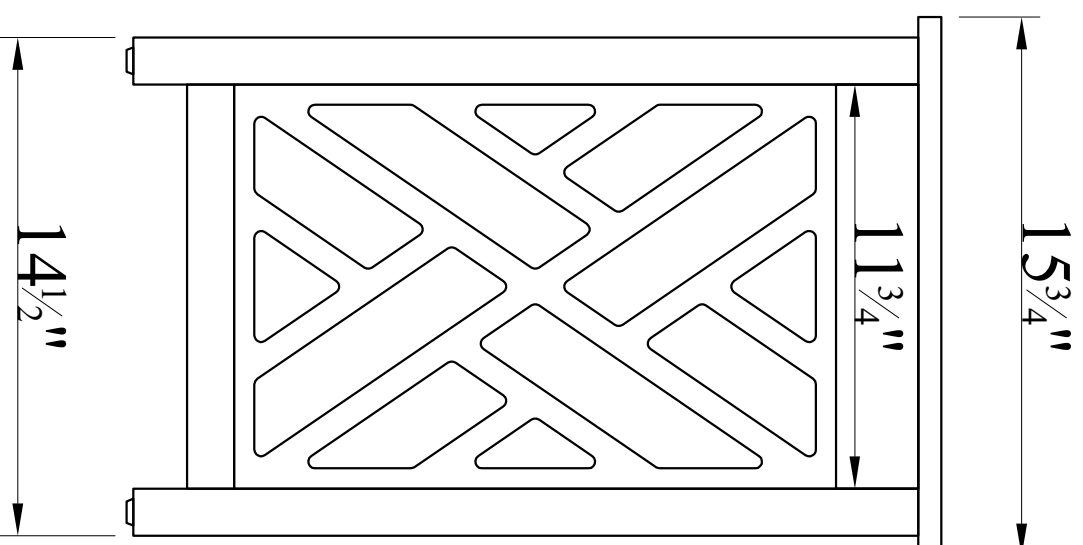


FRONT VIEW



SIDE VIEW



ANCT02WH - END TABLE W/ 1 SHELF & PULL OUT TRAY SHELF